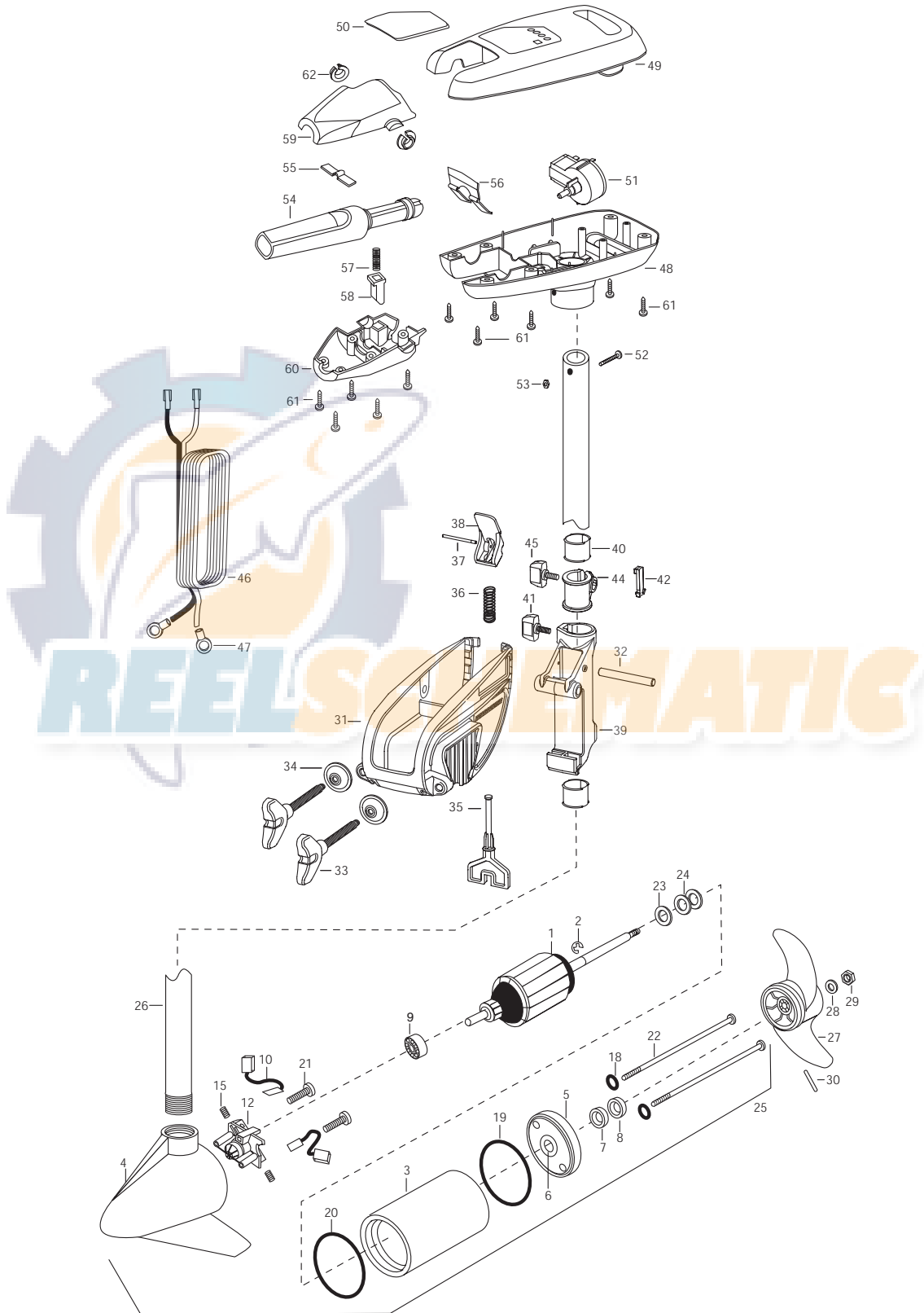


RT40/SC/S  
40 LBS. THRUST  
12 VOLT 42AMPS  
36" SHAFT

for use with motors with serial numbers beginning MKAE  
3-year warranty from the date of purchase



|    |            |                                     |     |         |                             |    |         |                             |
|----|------------|-------------------------------------|-----|---------|-----------------------------|----|---------|-----------------------------|
| 1  | 2-100-201  | ARM ASSEMBLY12V 3.25 40*            | ■   | 2771816 | BRACKET & HINGE ASSEMBLY    | 55 | 2302742 | SPRING-DETENT (OFF) SS      |
| 2  | 788-015    | RETAINING RING                      | ■   | 2771913 | BRACKET ASSEMBLY            | 56 | 2302743 | SPRING-DETENT HANDLE-TILT   |
| 3  | 2-200-379  | HOUSING ASSEMBLY CENTER             |     |         | (INCL- 31,33,34)            | 57 | 2302745 | SPRING-RELEASE BUTTON SS    |
| 4  | 2-300-332  | HOUSING BRUSH END 3.25 SPCO         | *31 | 2061910 | BRACKET PLASTIC             | 58 | 2303720 | RELEASE BUTTON-HANDLE       |
| 5  | 92-400-127 | PLAIN END HOUSING 3.25              | 32  | 2060511 | PIN-HINGE SS                | 59 | 2060410 | HANDLE (TOP HALF)NO MAXIM   |
| 6  | 144-049    | BEARING - FLANGE [SERVICE ONLY]     | *33 | 2061301 | SCREW-CLAMP SS [2.EA]       | 60 | 2060415 | HANDLE (LOWER HALF)         |
| 7  | 880-003    | **SEAL                              | *34 | 2331700 | WASHER-CLAMP SCREW [2.EA]   | 61 | 2303412 | SCREW-6-20 X 5/8 [11.EA]    |
| 8  | 880-006    | **SEAL WITH SHIELD                  | 35  | 2063605 | T-BAR PLASTIC               | 62 | 2060005 | BEARING-HANDLE PIVOT [2.EA] |
| 9  | 140-010    | BEARING - BALL                      | 36  | 2062706 | SPRING- T-BAR               |    |         |                             |
| 10 | 188-052    | BRUSH ASSEMBLY [2.EA]               | 37  | 2060516 | PIN- TILT LEVER             |    |         |                             |
| 12 | 738-030    | BRUSH PLATE W/HOLDER 3.25           | 38  | 2067201 | LEVER-TILT BLACK            |    |         |                             |
| 15 | 975-032    | SPRING - COMPRESSION [2.EA]         | 39  | 2061810 | HINGE-PLASTIC               |    |         |                             |
| 18 | 701-007    | **O-RING [2.EA]                     | 40  | 2037301 | BUSHING-HINGE [2.EA]        |    |         |                             |
| 19 | 701-039    | **O-RING MK406460                   | 41  | 2011386 | SCREW-TENSION/NEW KNOB SS   |    |         |                             |
| 20 | 701-041    | **O-RING                            | 42  | 2062800 | TENSION BLOCK- SNAP IN      |    |         |                             |
| 21 | 830-001    | SCREW -SELF THRD 8-32X1.7 [2.EA ]   | 44  | 2061520 | COLLAR-DEPTH                |    |         |                             |
| 22 | 830-078    | THRU BOLT 8-32 X 8.96 [2.EA]        | 45  | 2011366 | SCREW-COLLAR SS [2.EA]      |    |         |                             |
| 23 | 990-067    | WASHER - STEEL THRUST               | 46  | 2090600 | LEADWIRE 10GA RINGS         |    |         |                             |
| 24 | 990-070    | WASHER - NYLATRON [2.EA]            | 47  | 2020700 | TERMINAL RING, 3/8" [2.EA]  |    |         |                             |
| 25 | 2068254    | MTR ASSEMBLY 12V 3.25 5SP SW 40/W   | 48  | 2062552 | CONTROL BOX PLAS W/HAND WHT |    |         |                             |
| 26 | 2032031    | TUBE (COMPOSITE) 36 WHT             | 49  | 2060264 | COVER-CTRL BOX RT WHT       |    |         |                             |
| ■  | 1378121    | PROP KIT (prop, washer, nut, & pin) | 50  | 2095664 | DECAL-COVER (RT40/S)        |    |         |                             |
| 27 | 2061121    | PROPELLER- 3.25 HUB DIA             | 51  | 2064023 | SWITCH-FWD/REV 5 SP         |    |         |                             |
| 28 | 2151726    | WASHER-PROP 5/16 STD SS             | 52  | 2332102 | SCREW-10-24 X 1-3/4 SS      |    |         |                             |
| 29 | 2198400    | ANODE- ZINC 3.25/3.62 LWWR U        | 53  | 2333101 | NUT-HEX NYLOC               |    |         |                             |
| 30 | 2092600    | PIN-DRIVE SS                        | 54  | 2990911 | HANDLE ASSY-W/U-JOINT 5SPD  |    |         |                             |

\*\*Seal & Oring Kit P/N 2883460

\* This item is part of an assembly. This item cannot be sold separately due to machining and /or assembly that is required.

P/N 2094909 REV.A 9-03

